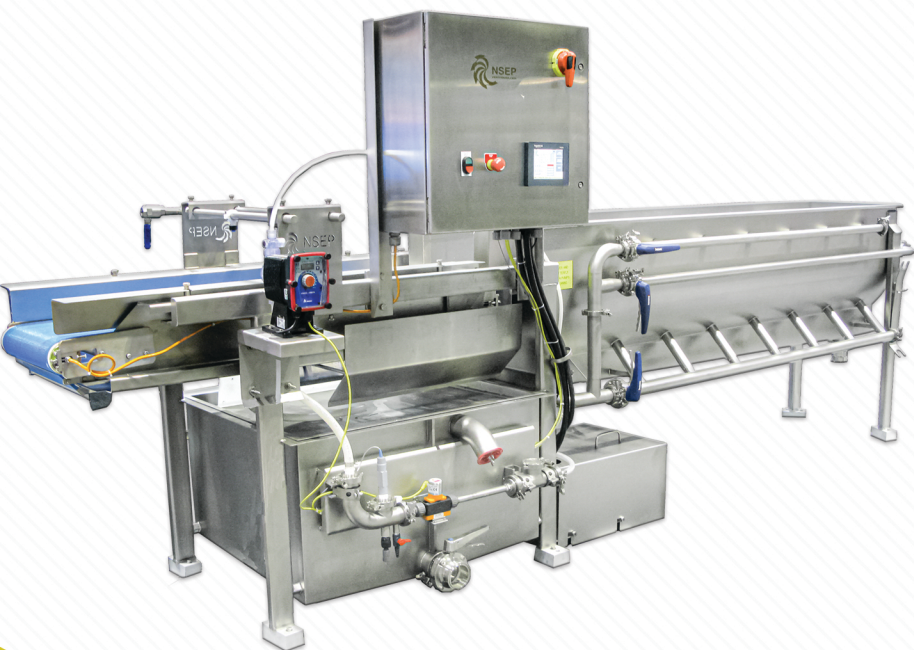


# HW Series Wash Systems



\*Model HW3800



\*Model HW5000

The signature Wash Systems from North Star Engineered Products (NSEP) have the unique capability of washing a wide variety of cut and whole product with a maximum wash path in a small space. For example, our HW3800 model contains a 42 foot wash path in just 13.5 feet. Its gentle, yet effective action makes it ideal for leafy products as well as root vegetables. The Wash systems come in three models - HW2600, HW3800, and HW5000 - with capacities ranging from 750 to 8,000 pounds per hour. The Wash system effectively separates individual product pieces to ensure full contact with the wash water. Dirt settles in the "quiet" collection trough that runs the length of the wash tank. The double deck shaker separates fines from the finished product. The system is easily disassembled for cleaning.

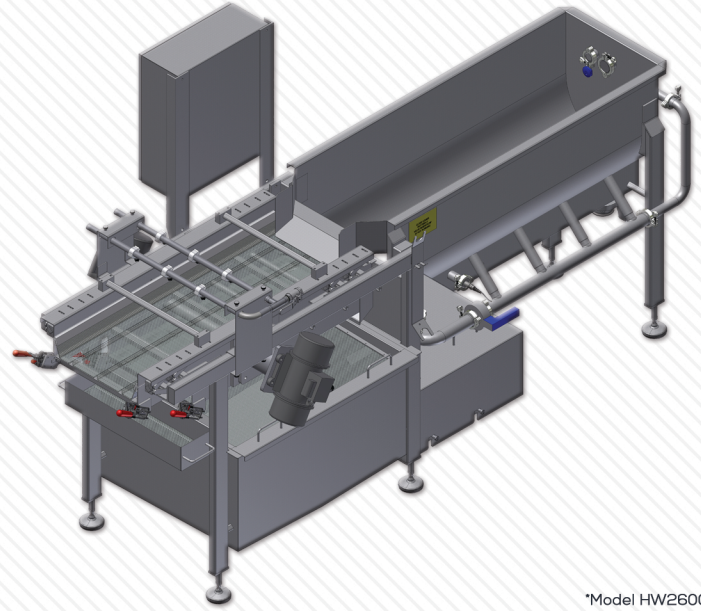




# Specifications

Wash System	HW2600	HW3800	HW5000
Wash Path	24 feet	42 feet	89 feet
Length (including shaker)	119 inches(9' 11")	162 inches(13' 5")	207 inches (17' 3")
Capacity(based on iceberg lettuce)	750 lbs. hour	2500lbs.hour	8000 lbs. hour
Fill Capacity	135gal.	225 gal.	400 gal.
Total Width	49 inches	49 inches	63 inches
Feed Height	49 inches	49 inches	59 inches
Discharge Height	40 inches	40 inches	47 inches
Total Machine Height	74 inches (6'2")	74 inches (6'2")	81 inches (6'9")
Utilities	20 Amp/10 Amp	30 Amp/15 Amp	40 Amp/20 Amp

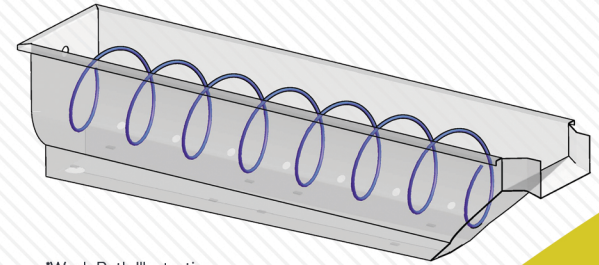
\*ALL models are 230 or 460 Volt HZ / 3 Phase



\*Model HW2600

## Key Features

- ✓ Sanitary design for easy clean-up
- ✓ Gentle wash system ensures no damage to product
- ✓ Adjustable wash intensity and product retention time
- ✓ Easy connection to a chiller system
- ✓ Simple connection to ORP/pH monitoring system
- ✓ Spiral wash path design
- ✓ Replaceable shaker decks and mesh discharge belts



\*Wash Path Illustration

## Options

- 🌀 PAA Monitor & Control System
- 🌀 Falling Film Chiller
- 🌀 Dewatering Thumber Bars
- 🌀 Integrated Temperature Monitor With Logging
- 🌀 Blow Off Air Knife
- 🌀 Pre-wash Feed Trough
- 🌀 Infeed Conveyor



Visit Us On The Web  
northstarengineered.com



Call-Us  
419-726-2645



Address  
28905 Glenwood Rd.  
Perrysburg, OH 43551



E-Mail  
sales@northstarengineered.com