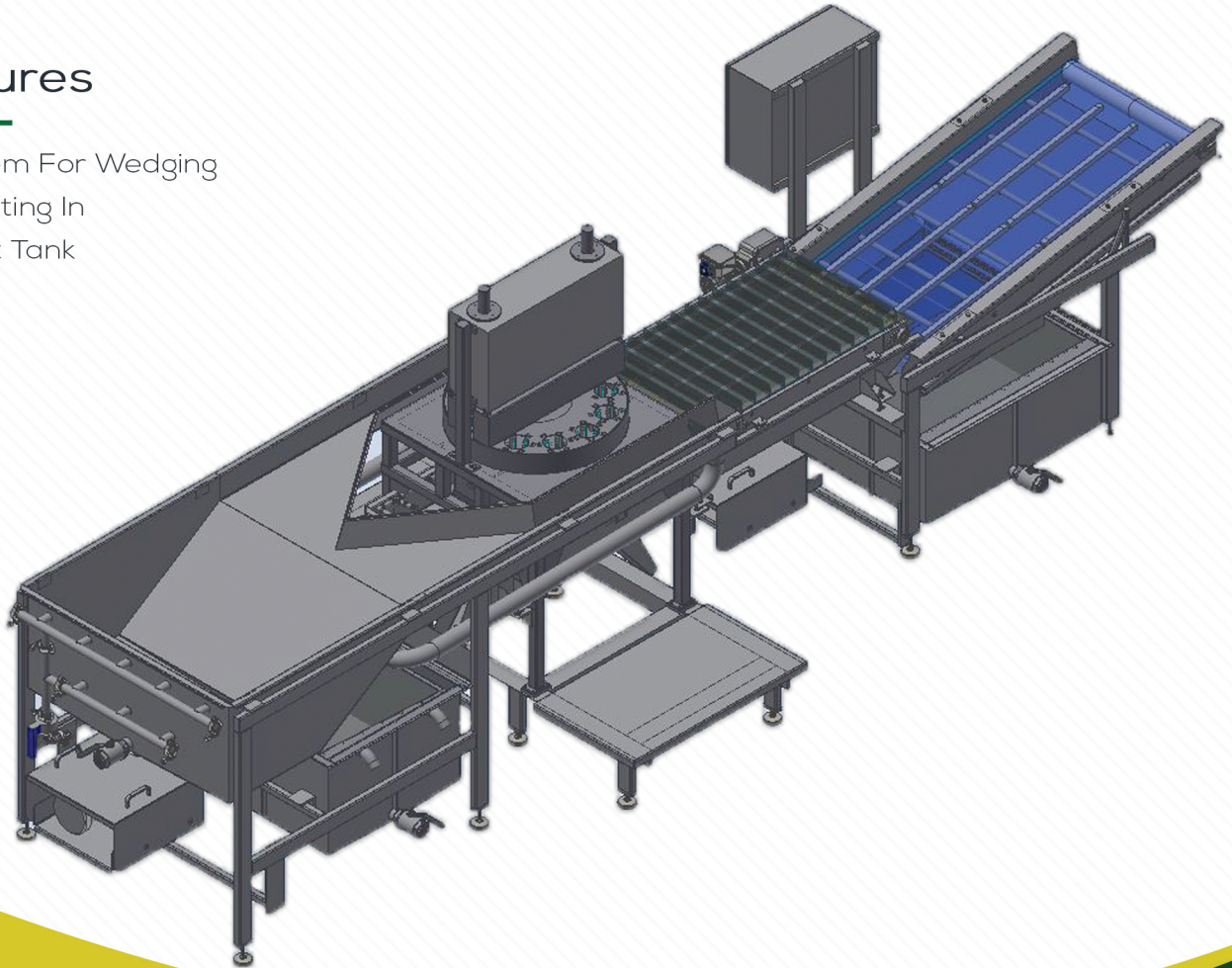


High Output Fresh Cut Apple System

Key Features

All In One System For Wedging
Apple And Treating In
An Anti-oxidant Tank



The HOM Fresh Cut Apple System is a complete system to pre-wash, wedge/core, treat, and air dry fresh cut apple wedges. The system is capable of cutting and treating 80 apples per minute. The cut wedges fall directly into the treatment bath, while the cores pass through to the waste chute. Residence time in the treatment bath is variable from 45 seconds to two minutes. Optional discharge air knife and Nature Seal® control system are available.



Specifications

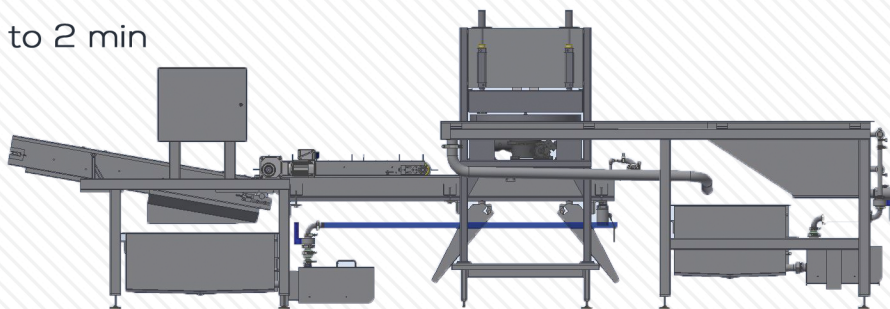
Capacity: Up to 80 pieces / min.
Width: 85 inches
Length: 26.5 ft.
Height: 84.62 inches
Utilities: 230V / 60 Hz / 3 Phase
 460V / 60 Hz / 3 Phase
Tank Capacity: Recirculation tank - 70 gal.
 Treatment tank - 55 gal.
 Load / Soak = 165 gal.



Air Knife Option

Key Features

- ✓ Wedges drop directly into treatment tank
- ✓ Cores are separated and drop into waste chute
- ✓ Compact size fits most work environments
- ✓ Adjustable residence time - 45 sec to 2 min
- ✓ Easy load carousel
- ✓ Adjustable pump speed
- ✓ Adjustable discharge belt speed



Options

- 🌀 Various Blade & Plunger Options
- 🌀 Wedge - 4, 8, 12, 16 segments
- 🌀 Core Size - 25, 30, 35mm
- 🌀 NatureSeal® monitor & control
- 🌀 Air Knife - over discharge belt
- 🌀 Hopper conveyor to load pre-wash tank



Visit Us On The Web
northstarengineered.com



Call-Us
419-726-2645



Address
28905 Glenwood Rd.
Perrysburg, OH 43551



E-Mail
sales@northstarengineered.com